

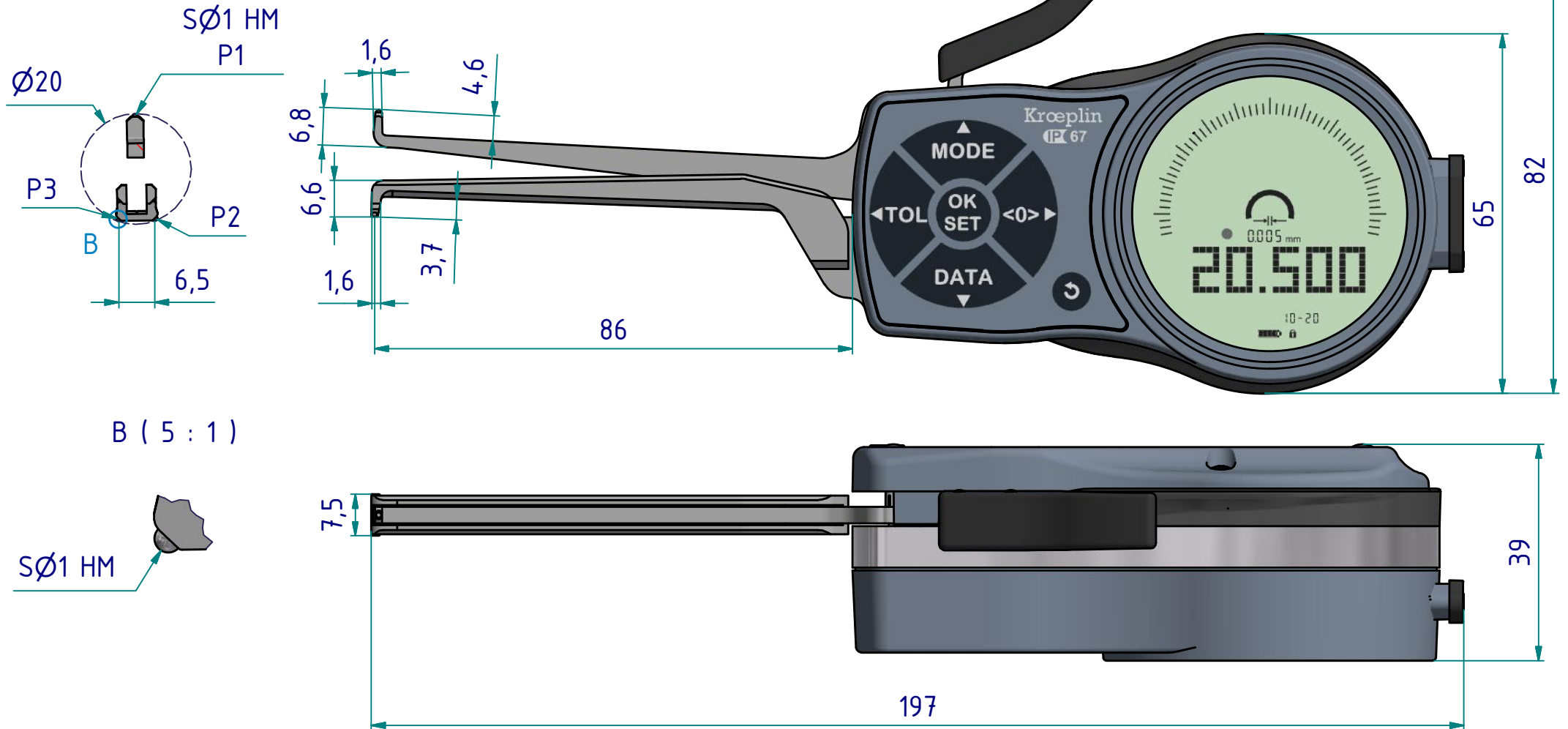
# data sheet: L210P3

Kroepelin GmbH  
Gartenstraße 50  
D-36381 Schlüchtern

Tel.: 06661 86 0  
Fax: 06661 86 39  
Mail: sales@kroepelin.com  
Web: www.kroepelin.com

**Kroepelin**  
Längenmesstechnik

3-point  
measurement



subject to technical alterations

**type:** L - P3  
**range:** 10 - 20 mm  
**range of indication:** 9,8 - 20,5 mm  
**digital step:** 0,005 mm  
**scale interval:** -  
**measuring force:** 1,1 - 1,6 N  
**weight:** 270 g

acceptable deviations  
VDI/VDE/DGQ 2618 Bl. 12.1/13.1)  
**max. permissible errors "G":** 0,02 mm  
**repeatability "r":** 0,01 mm  
**reference temperature:** 20° C  
**operation temperature:** 10° C - 30° C  
**storage temperature:** -10° C - 50° C

**scale:** 1:1  
**drawing-nr.:** DAB-L210P3-K-e  
**date of issue:** 21.01.2020  
**name:** B. Schmidt  
**revision status:**  
**revision date:**

measuring capacity

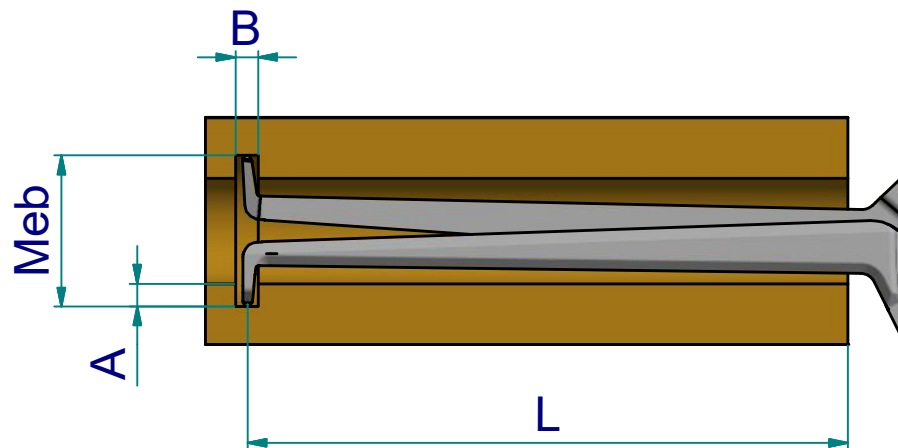
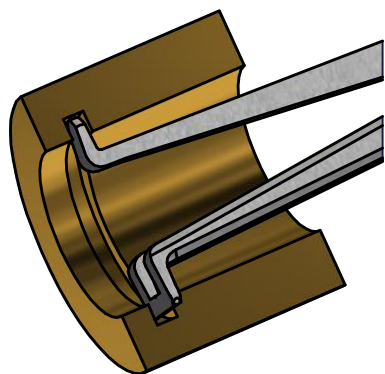
measuring range  $M_{eb}$  [mm]

groove depth A [mm]	measuring range $M_{eb}$ [mm]									
	10	11	12	13	14	15	16	18	20	
0	0 / 73	0 / 73	0 / 74	0 / 74	0 / 74	0 / 74	0 / 74	0 / 75	0 / 75	
1			1,7 / 72	1,7 / 72	1,8 / 73	1,8 / 73	1,7 / 73	1,7 / 74	1,7 / 74	
2					1,7 / 71	1,7 / 72	1,7 / 72	1,7 / 73	1,6 / 74	
3							2,1 / 64	1,9 / 71	1,8 / 73	
3,5								2,6 / 67	2,7 / 71	
	B / L									

B = minimum groove width [mm]

L = maximum usable arm length [mm]

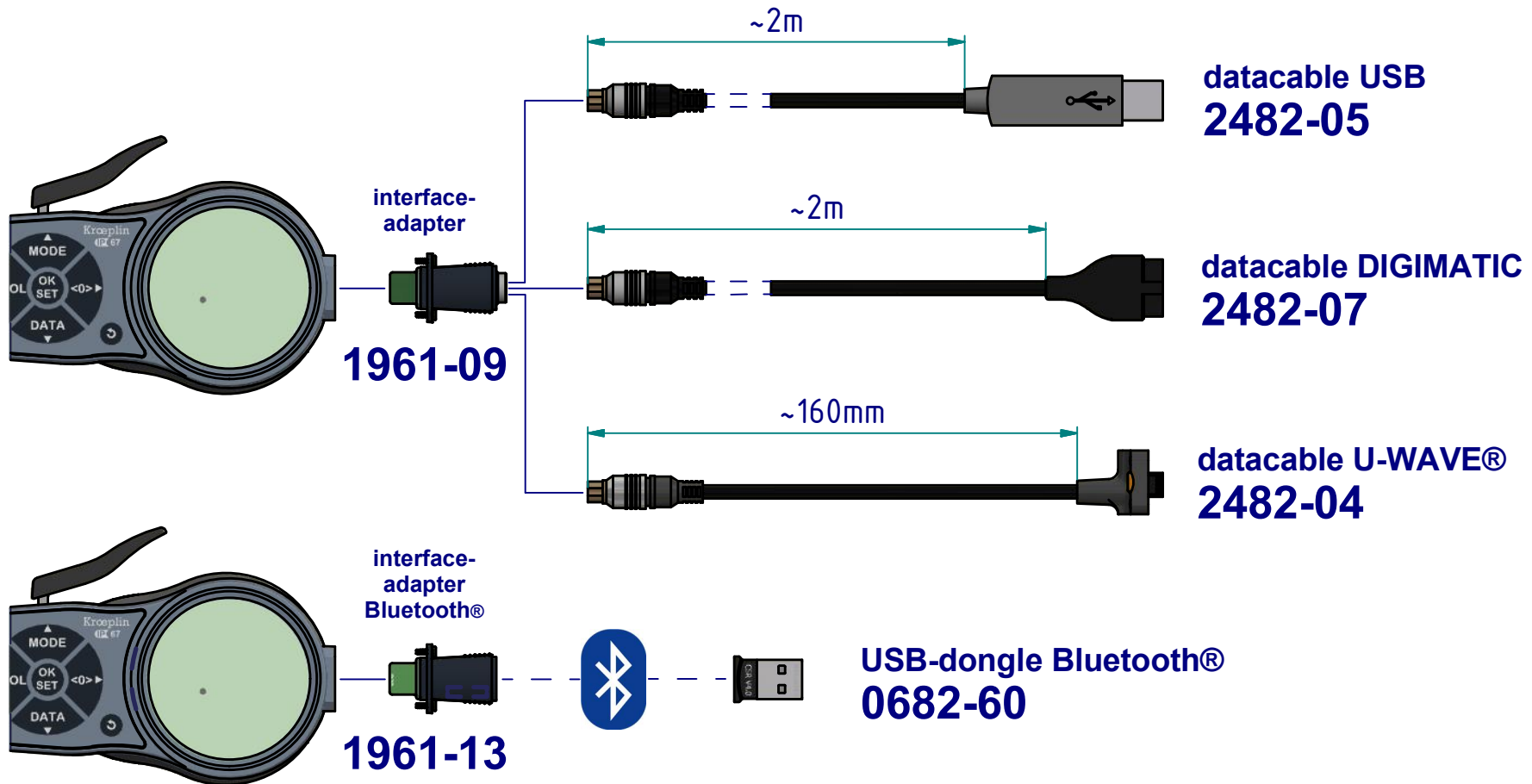
Example:     $M_{eb} = 8$      $B = 0,9$   
                   $A = 0,4$      $L = 33$



subject to technical alterations

drawing-nr.:	DAB-L210P3-K-e
date of issue:	21.01.2020
name:	B. Schmidt
revision status:	
revision date:	

interface as accessories available:



subject to technical alterations

<b>drawing-nr.:</b>	<b>DAB-L210P3-K-e</b>
<b>date of issue:</b>	<b>21.01.2020</b>
<b>name:</b>	<b>B. Schmidt</b>
<b>revision status:</b>	
<b>revision date:</b>	