

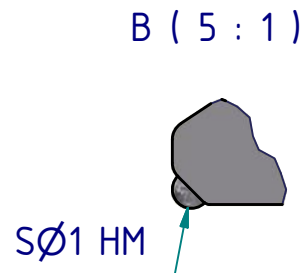
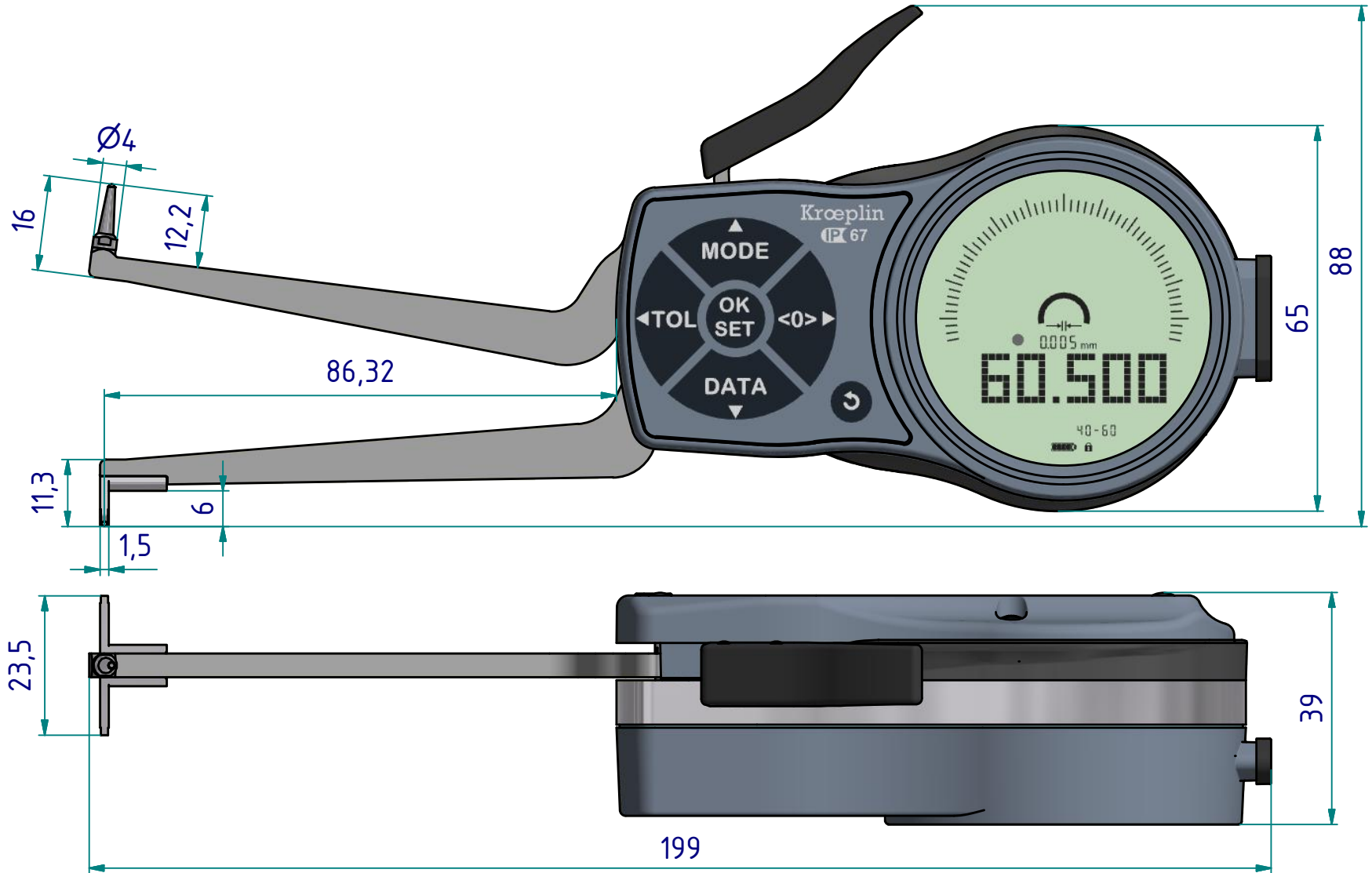
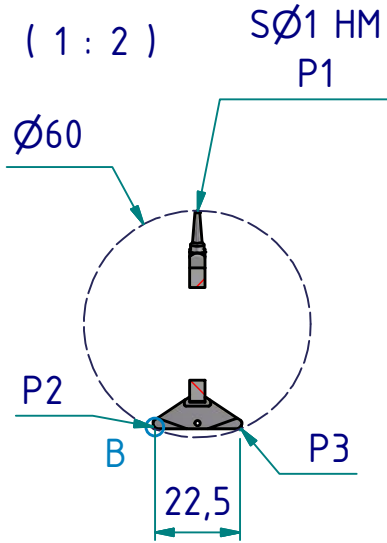
data sheet: L240P3

Kroepin GmbH
Gartenstraße 50
D-36381 Schlüchtern

Tel.: 06661 86 0
Fax: 06661 86 39
Mail: sales@kroepin.com
Web: www.kroepin.com

Kroepin
Längenmesstechnik

3-point
measurement



subject to technical alterations

type: L - P3
range: 40 - 60 mm
range of indication: 39,5 - 60,5 mm
digital step: 0,005 mm
scale interval: -
measuring force: 1,1 - 1,6 N
weight: 290 g

acceptable deviations
VDI/VDE/DGQ 2618 Bl. 12.1/13.1)
max. permissible errors "G": 0,02 mm
repeatability "r": 0,01 mm
reference temperature: 20° C
operation temperature: 10° C - 30° C
storage temperature: -10° C - 50° C

scale: 1:1
drawing-nr.: DAB-L240P3-K-e
date of issue: 21.01.2020
name: B. Schmidt
revision status:
revision date:

measuring capacity

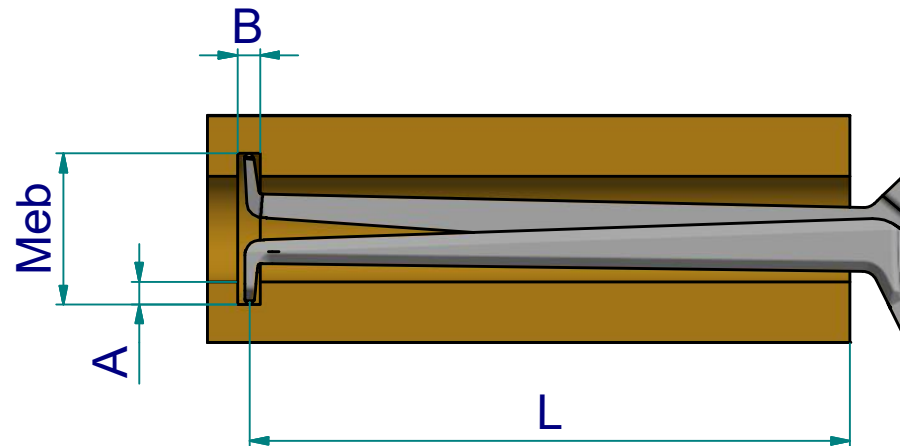
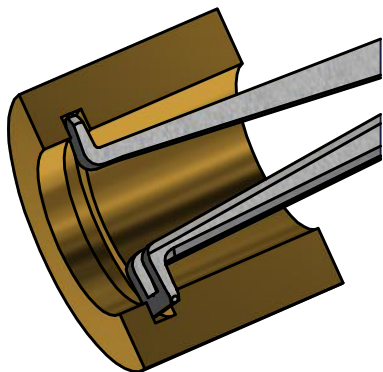
		measuring range Meb [mm]										
		40	42	44	46	48	50	52	54	56	58	60
groove depth A [mm]	0	0 / 80	0 / 81	0 / 81	0 / 81	0 / 82	0 / 82	0 / 83	0 / 83	0 / 84	0 / 84	0 / 84
	1		1,6 / 79	1,6 / 80	1,6 / 80	1,6 / 81	1,6 / 82	1,6 / 83	1,6 / 83	1,6 / 83	1,6 / 83	1,6 / 83
	2			1,7 / 80	1,7 / 80	1,7 / 81	1,7 / 81	1,7 / 82	1,8 / 82	1,8 / 82	1,8 / 82	1,8 / 82
	3				1,8 / 80	1,8 / 80	1,9 / 80	1,9 / 81	1,9 / 81	2,0 / 82	2,0 / 82	2,0 / 82
	4					2,0 / 80	2,0 / 80	2,1 / 81	2,1 / 81	2,1 / 81	2,2 / 82	2,2 / 82
	5						2,2 / 81	2,3 / 81	2,3 / 81	2,3 / 81	2,3 / 82	2,3 / 82
	6							2,4 / 82	2,4 / 82	2,4 / 82	2,5 / 82	2,6 / 82
	7								2,6 / 82	2,6 / 82	2,7 / 82	2,8 / 82
	8									2,8 / 82	2,9 / 82	3,1 / 82
B / L												

B = minimum groove width [mm]

L = maximum usable arm length [mm]

Example: Meb = 32 B = 1,6

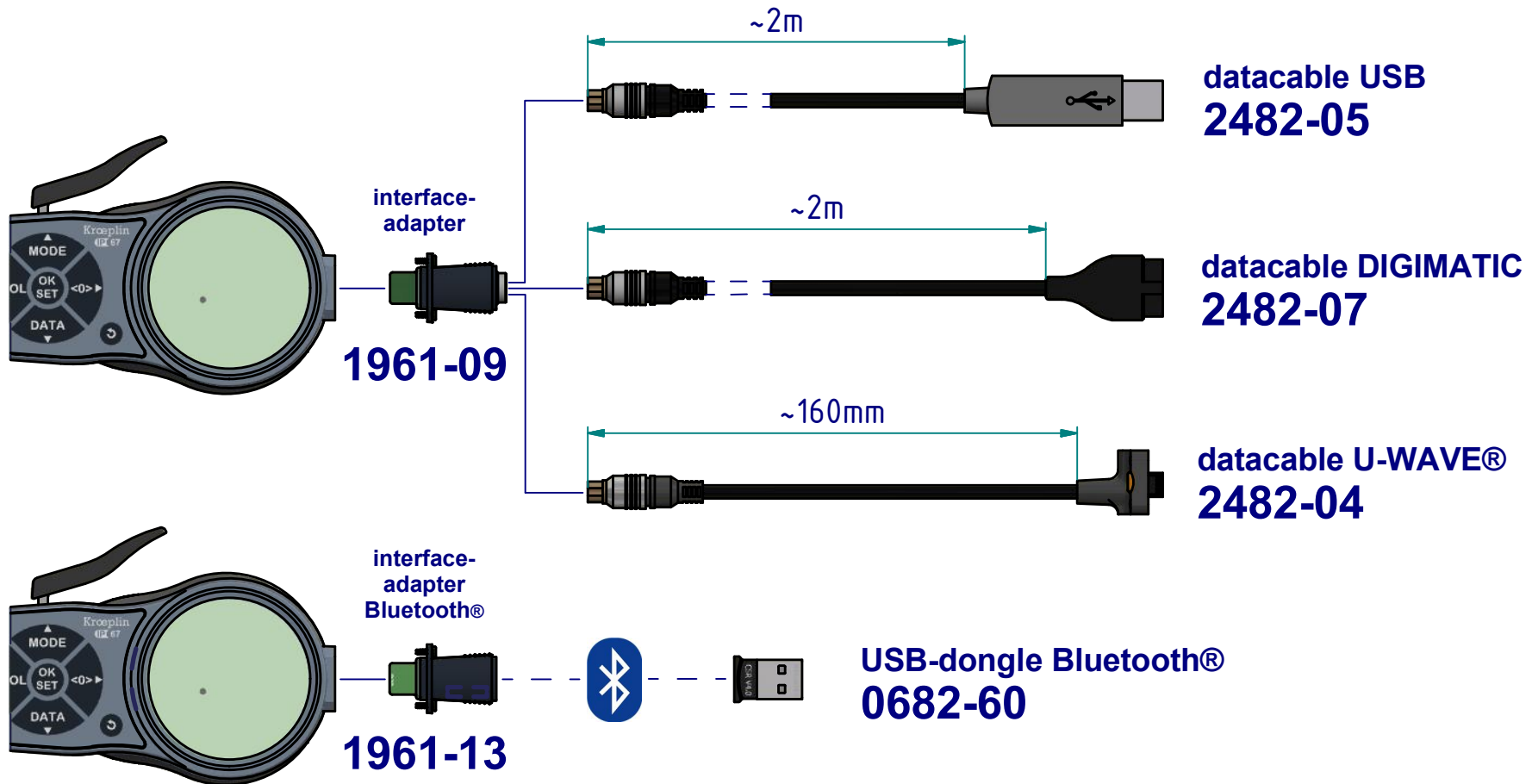
 A = 2 L = 83



subject to technical alterations

drawing-nr.:	DAB-L240P3-K-e
date of issue:	21.01.2020
name:	B. Schmidt
revision status:	
revision date:	

interface as accessories available:



subject to technical alterations

drawing-nr.:	DAB-L240P3-K-e
date of issue:	21.01.2020
name:	B. Schmidt
revision status:	
revision date:	