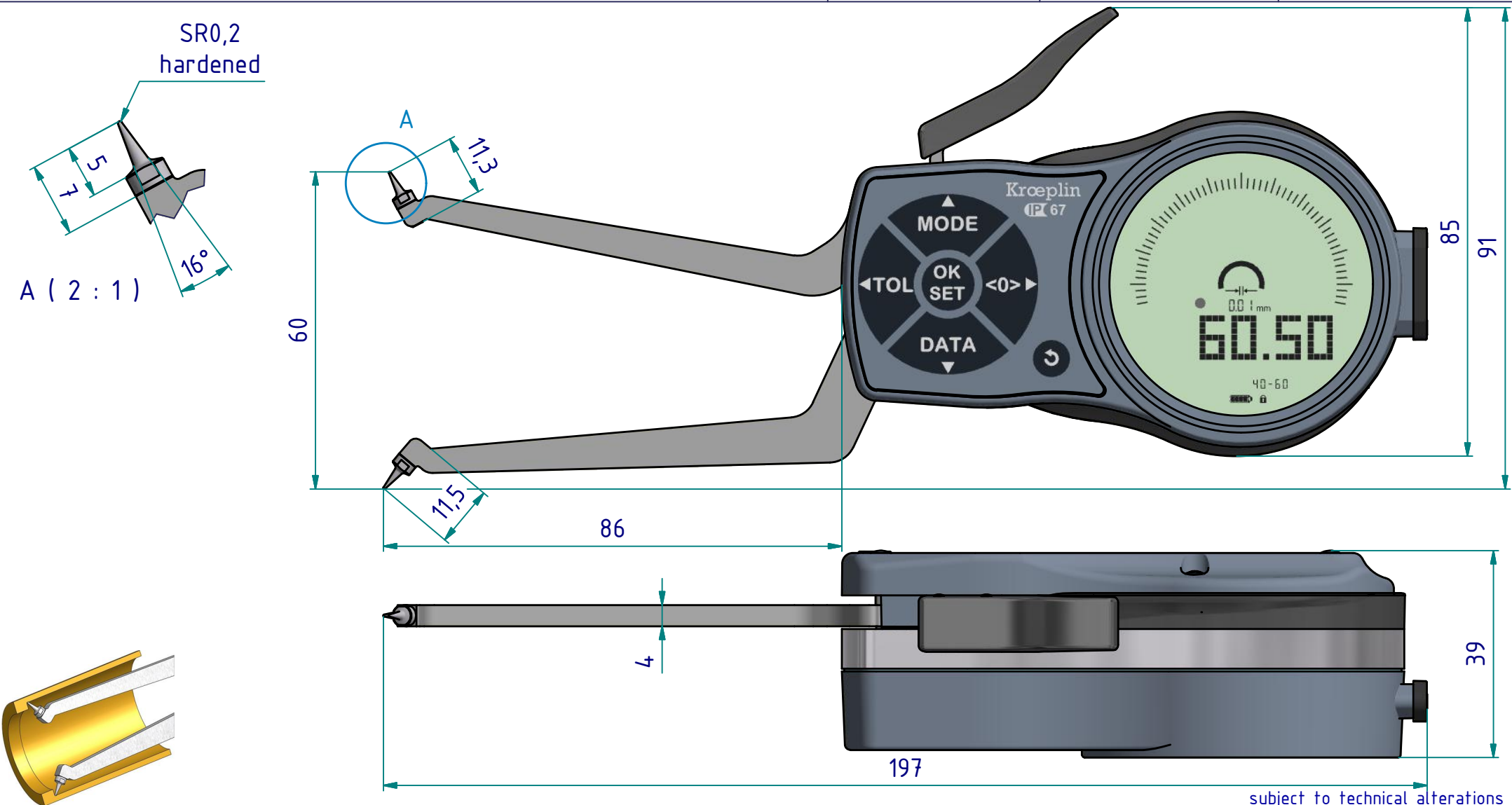


data sheet: L2G40

Kroeplin GmbH
Gartenstraße 50
D-36381 Schlüchtern

Tel.: 06661 86 0
Fax: 06661 86 39
Mail: sales@kroeplin.com
Web: www.kroeplin.com

Kroeplin
Längenmesstechnik



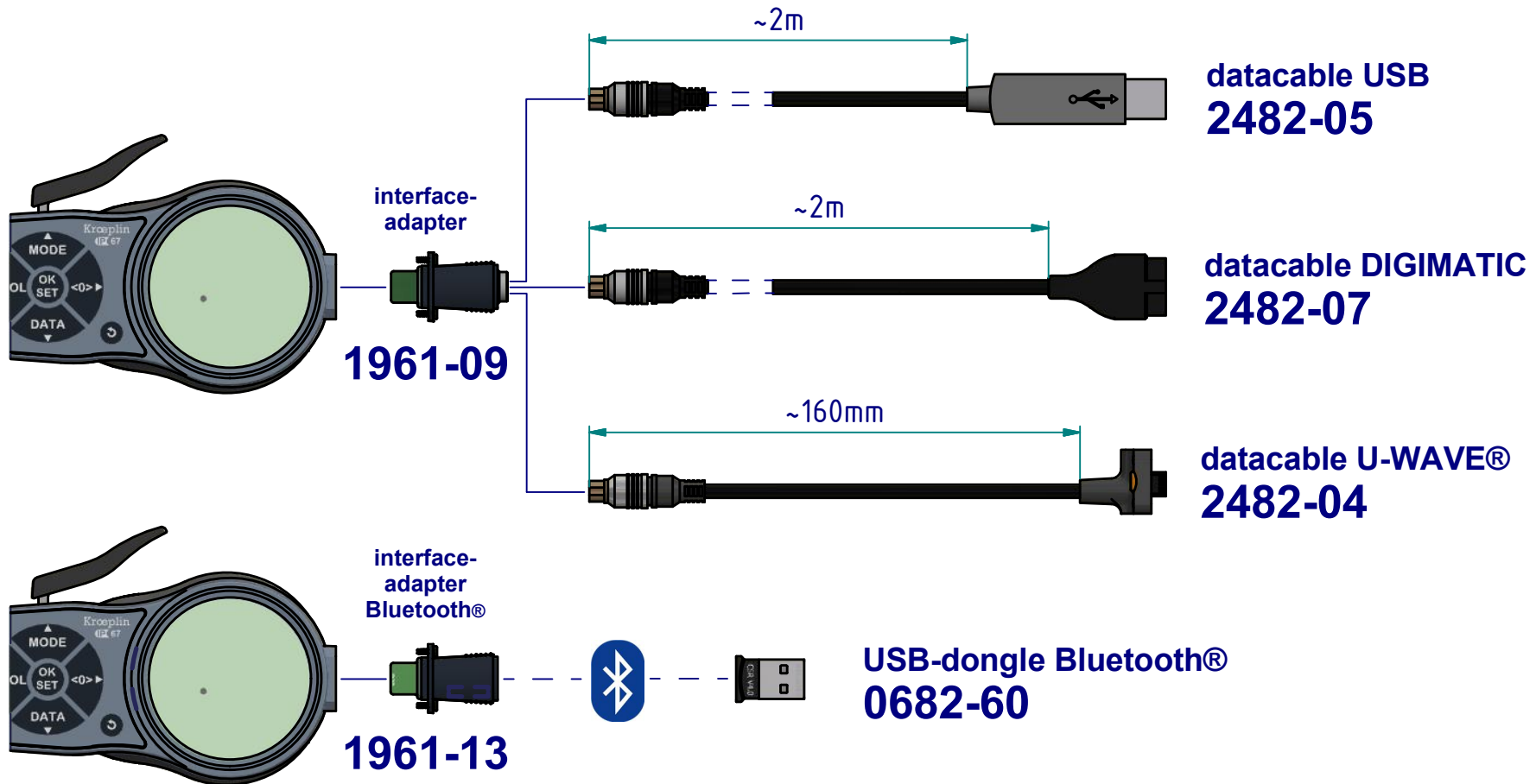
subject to technical alterations

type: L
range: 40 - 60 mm
range of indication: 39,5 - 60,5 mm
digital step: 0,01 mm
scale interval: -
measuring force: 1,1 - 1,6 N
weight: 285 g

acceptable deviations
VDI/VDE/DGQ 2618 Bl. 12.1/13.1)
max. permissible errors "G": 0,03 mm
repeatability "r": 0,01 mm
reference temperature: 20° C
operation temperature: 10° C - 30° C
storage temperature: -10° C - 50° C

scale: 1:1
drawing-nr.: DAB-L2G40-K-e
date of issue: 13.05.2020
name: B. Schmidt
revision status:
revision date:

interface as accessories available:



subject to technical alterations

| | |
|------------------|---------------|
| drawing-nr.: | DAB-L2G40-K-e |
| date of issue: | 13.05.2020 |
| name: | B. Schmidt |
| revision status: | |
| revision date: | |